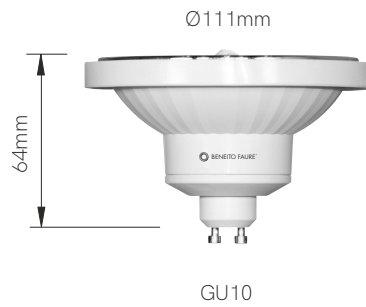


# Lynk

## retrofit

Technical Data  
AR111 GU10 / G53 bulb.

Light  
LED in 2.700K / 3.000K / 4.000K.



- 40 IP
- 3 YEARS WARRANTY
- 25.000 HOURS
- >0,9 PF
- ≥80 CRI
- 45°
- 50/60 Hz
- +40°C  
-20°C
- 10/30

Lynk GU10:



Lynk G53:



Lynk Dimm:



	Code	Power	CCT	Type	Lumens
Lynk	3455	13W	2.700K	GU10	880 lm
	3456	13W	3.000K	GU10	900 lm
	3457	13W	4.000K	GU10	950 lm
	3452	13W	2.700K	G53	880 lm
	3453	13W	3.000K	G53	900 lm
	3454	13W	4.000K	G53	950 lm
Lynk Dimmable	3464	13W	2.700K	GU10	880 lm
	3465	13W	3.000K	GU10	900 lm
	3466	13W	4.000K	GU10	950 lm

